

E0-16849-D

REVISIONS

1

CHG'D. DIMENSIONS
W.J.T. 1/11/90 JP

2

CHANGED
DIMENSION 'A'
REVISED BY GENTEK
07-01-98

REVISED BY GENTEK
08/15/03

3

CONVERTED TO
MICROSTATION;
EDITORIAL CHANGES
R.P.R. 7/18/05

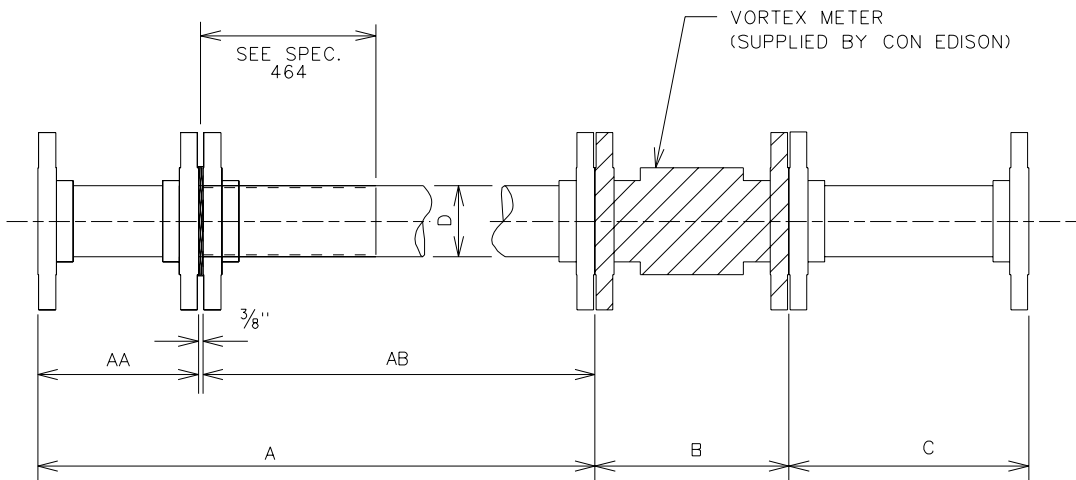
4

REVISED & ADDED
PIPE SIZES TO
DIMENSION TABLE
LRD(SEA) 01/20/06

5

REVISED & ADDED
SPEC. NUMBERS
IN NOTE 1
RSH 08/27/08

STRAIGHTENING VANE WITH FLANGE



NOTES:

1. DIMENSION A REPLACES DIMENSION A SHOWN ON STEAM ENGINEERING DEPT. SPEC. NOS. S-589, S-590, S-595, S-596, AND S-625 WHEN STRAIGHTENING VANES ARE USED. DIMENSIONS B & C REMAIN THE SAME.
2. STRAIGHTENING VANES ARE TO BE CONSTRUCTED IN ACCORDANCE WITH STEAM ENGINEERING DEPARTMENT SPEC. NO. S-464.

| PIPE SIZE | D (I.D.) | MIN. DIMENSION (INCHES) | | |
|-----------|----------|---------------------------------|-----|-----|
| | | A | AA | AB |
| 2 | 1.939 | 42 ³ / ₈ | 14 | 28 |
| 3 | 3.068 | 63 ³ / ₈ | 21 | 42 |
| 4 | 4.026 | 84 ³ / ₈ | 28 | 56 |
| 6 | 6.065 | 126 ³ / ₈ | 42 | 84 |
| 8 | 7.981 | 168 ³ / ₈ | 56 | 112 |
| 10 | 10.020 | 210 ³ / ₈ | 70 | 140 |
| 12 | 12.000 | 252 ³ / ₈ | 84 | 168 |
| 16 | 15.250 | 336 ³ / ₈ | 112 | 224 |

METER PIPING WITH STRAIGHTENING VANES FOR VORTEX FLOW METER

CONSOLIDATED EDISON COMPANY OF N.Y., INC.
STEAM DISTRIBUTION ENGINEERING

DATE 08-17-88
LAST REV. 08-27-08

DWG. NO. S-591
REV. 5