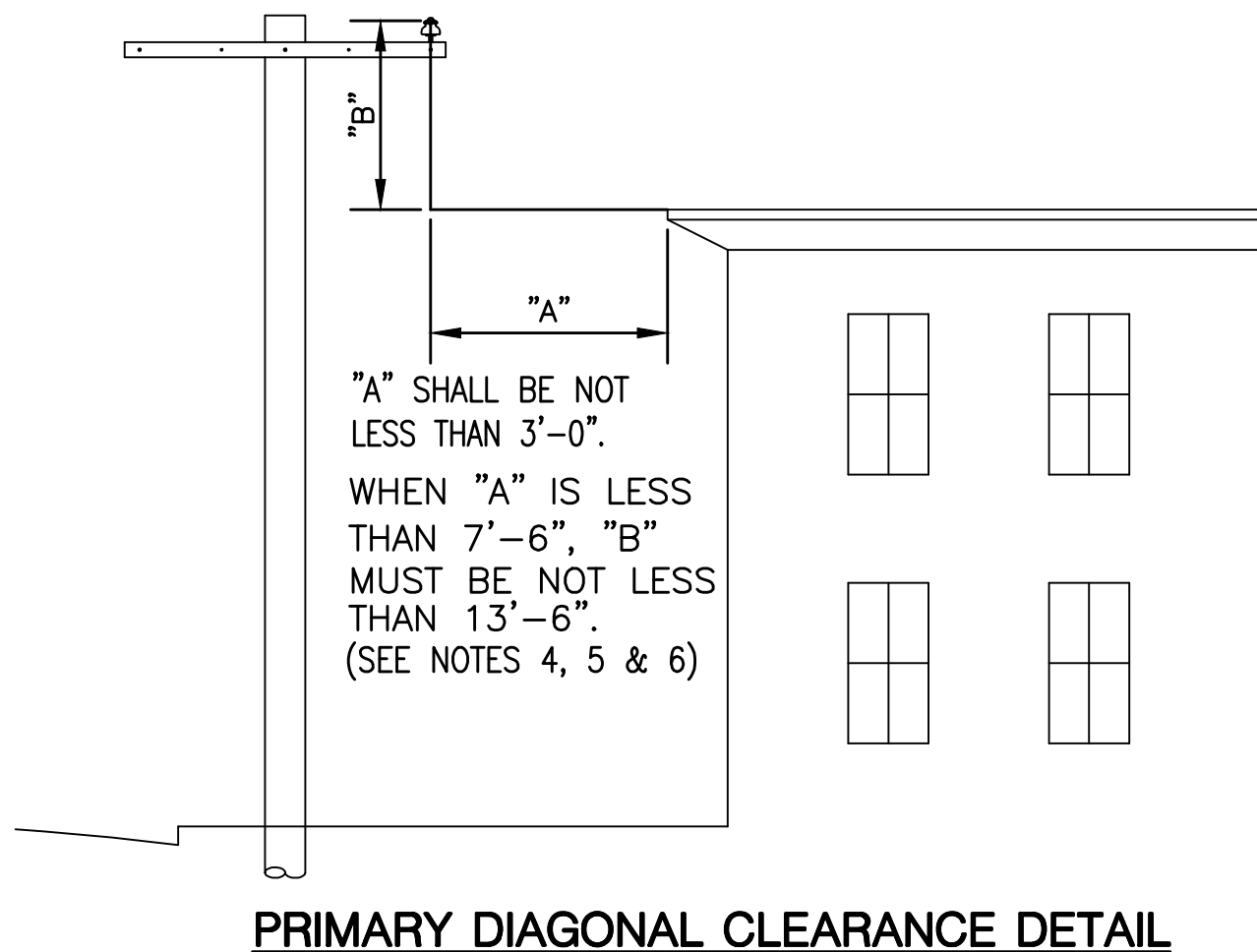
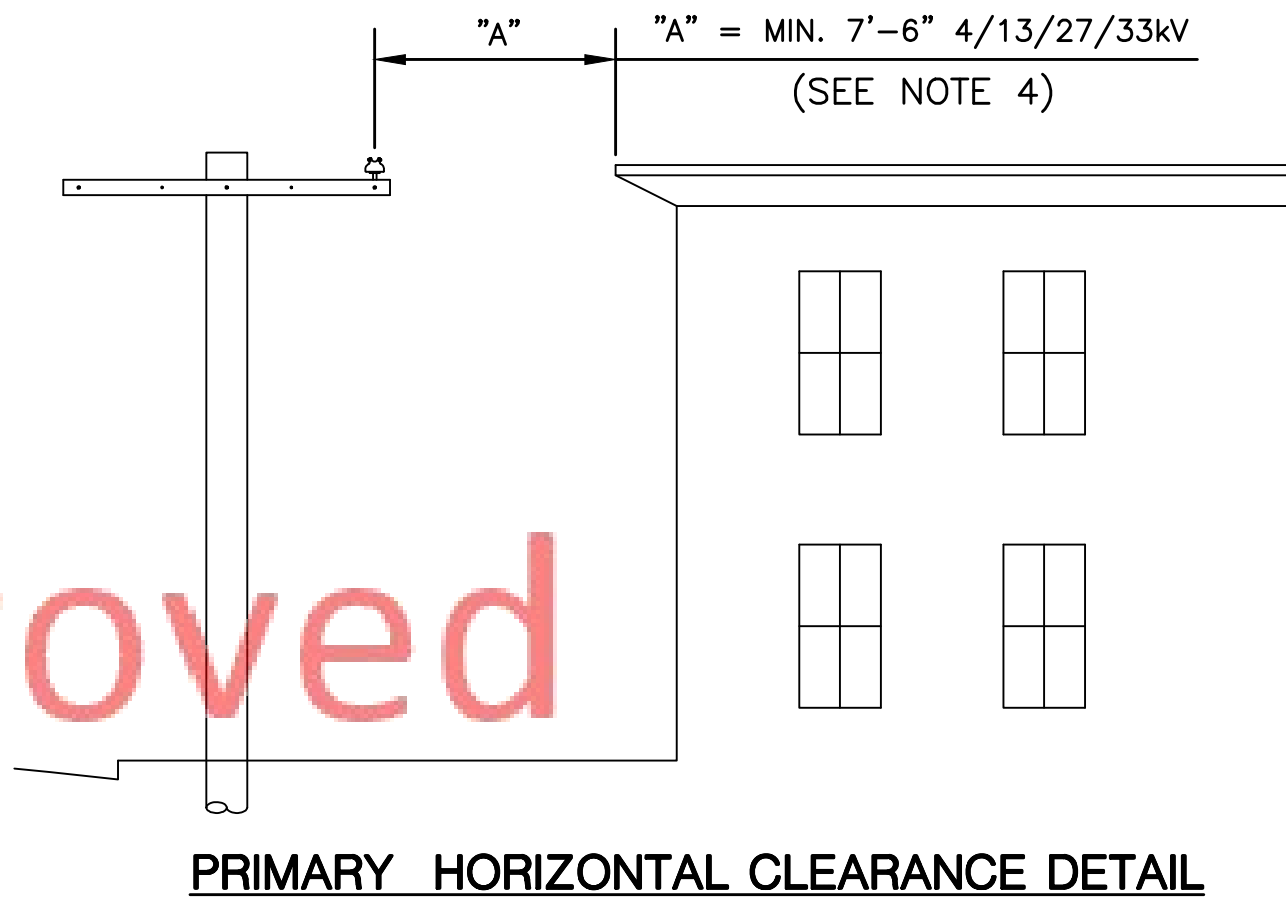


**NOTES:**

1. THE ABOVE MINIMUM CLEARANCE FOR OVERHEAD WIRES PROVIDE COMPLIANCE WITH THE LATEST NATIONAL ELECTRICAL SAFETY CODE.
2. DISTRIBUTION CIRCUITS SHALL NOT BE CROSSING OVER BUILDINGS UNLESS AUTHORIZED BY DISTRIBUTION ENGINEERING.
3. CUSTOMER'S BUILDING EXTENSIONS SUCH AS, FIRE ESCAPES, BALCONIES, ETC. SHALL BE CONSIDERED IN DETERMINING THE REQUIRED CLEARANCES OF CONDUCTORS.
4. THE PRIMARY DIAGONAL CLEARANCE SHALL BE USED ONLY WHEN STANDARD OR ALLEY ARM CONSTRUCTION WILL NOT PROVIDE MINIMUM NECESSARY CLEARANCE.
5. POLE TOP EXTENSIONS ARE ACCEPTABLE, PROVIDED IT IS A TANGENT POLE.
6. EXAMPLE, FOR A 2-STORY (30 FT.) BUILDING A MINIMUM 50 FT. POLE IS REQUIRED.
7. CONTACT DISTRIBUTION ENGINEERING FOR RAIL ROAD CROSSINGS.

CLEARANCES APPLY TO CONDUCTORS UNDER MAXIMUM SAG AND/OR DISPLACEMENT CONDITIONS.



**OVERHEAD DISTRIBUTION CLEARANCES (PRIMARY CLEARANCES)**

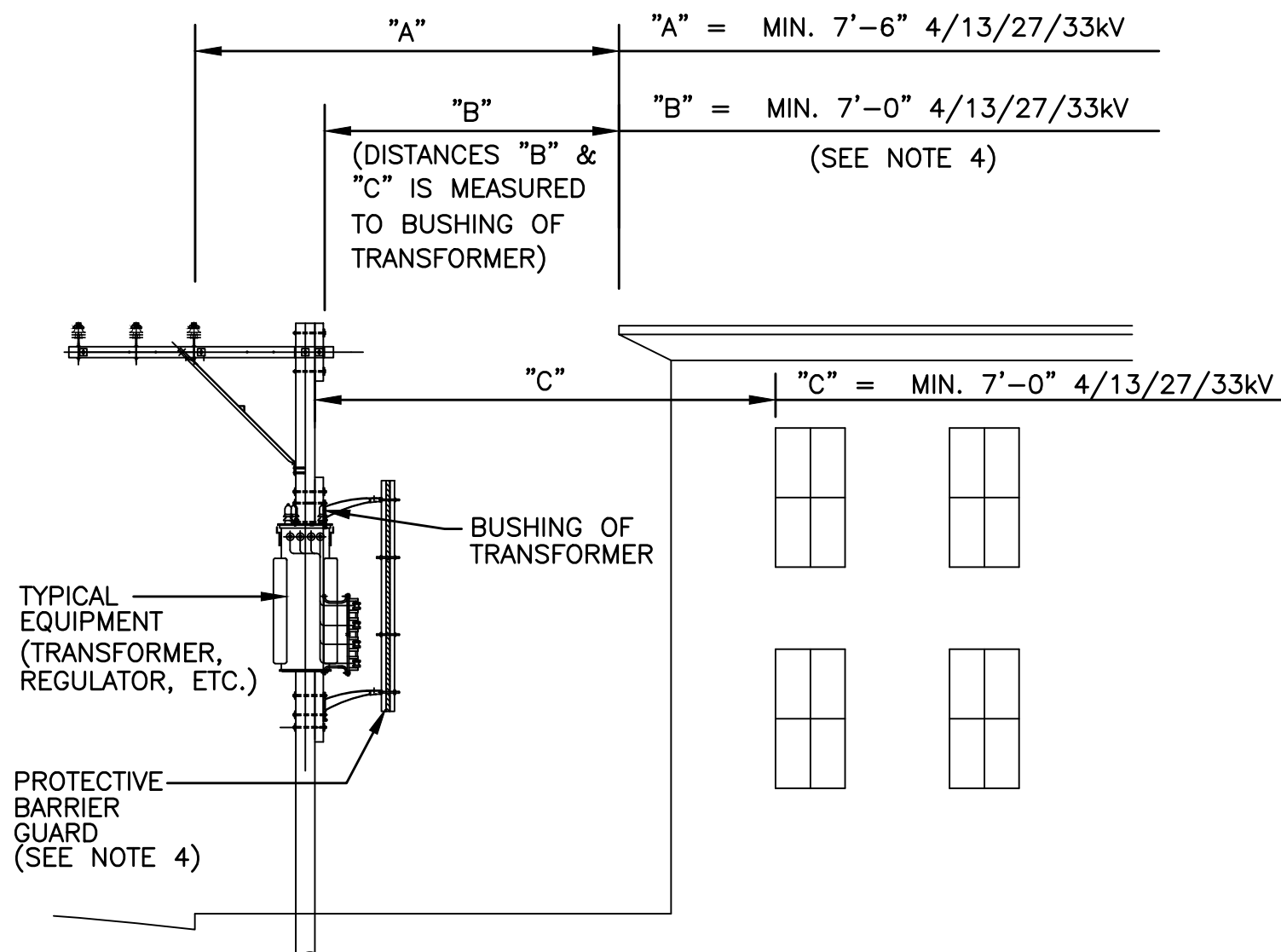
CONSOLIDATED EDISON COMPANY OF N.Y., INC.  
DISTRIBUTION ENGINEERING DEPT

COMPUTER GENERATED DRAWING NOT TO BE HAND REVISED

DATE 6/04/64  
LAST REV. 6/29/20

DWG. NO. **EO-4647-C REV. 18** SH 1 OF 8

NO	REVISION	PROJ ENG'R	DATE	DRAWN BY	DATE	CHECKED BY	DATE	APPROVED
18	SEE REVISION BOX ON SHEET 5 OF 8 FOR CHANGES TO THIS SHEET. H.J.M./K.T. 6/29/2020	H. ANWAR	6/29/20	SHMUCKER	3/17/61	HAVILAND	3/20/61	MGR. MANAGER CIVIL DESIGN
				DISCIPLINE CODE TE		SCALE NONE		CAVAGNET ELECT DISTRIBUTION ENGR
								DATE 6/13/61



**EQUIPMENT POLE CLEARANCE DETAIL**

**NOTES:**

1. THE ABOVE MINIMUM CLEARANCE FOR OVERHEAD WIRES PROVIDE COMPLIANCE WITH THE LATEST NATIONAL ELECTRICAL SAFETY CODE.
2. DISTRIBUTION CIRCUITS SHALL NOT BE CROSSING OVER BUILDINGS UNLESS AUTHORIZED BY DISTRIBUTION ENGINEERING.
3. CUSTOMER'S BUILDING EXTENSIONS SUCH AS, FIRE ESCAPES, BALCONIES, ETC. SHALL BE CONSIDERED IN DETERMINING THE REQUIRED CLEARANCES OF CONDUCTORS.
4. WHEN "B" IS LESS THAN 7'-0", A PROTECTIVE BARRIER GUARD IS REQUIRED (SEE DWG. 340717) WHICH SHALL ALLOW DISTANCE "B" TO BE REDUCED TO 5'-0". DISTANCE "A" HOWEVER SHALL NOT BE LESS THAN 7'-6". ALSO, DISTANCE "C" SHALL NOT BE LESS THAN 7'-0".

Approved

CLEARANCES APPLY TO CONDUCTORS UNDER MAXIMUM SAG AND/OR DISPLACEMENT CONDITIONS.

**OVERHEAD  
DISTRIBUTION CLEARANCES  
(EQUIPMENT POLE CLEARANCES)**

CONSOLIDATED EDISON COMPANY OF N.Y., INC.  
DISTRIBUTION ENGINEERING DEPT

COMPUTER GENERATED DRAWING NOT TO BE HAND REVISED

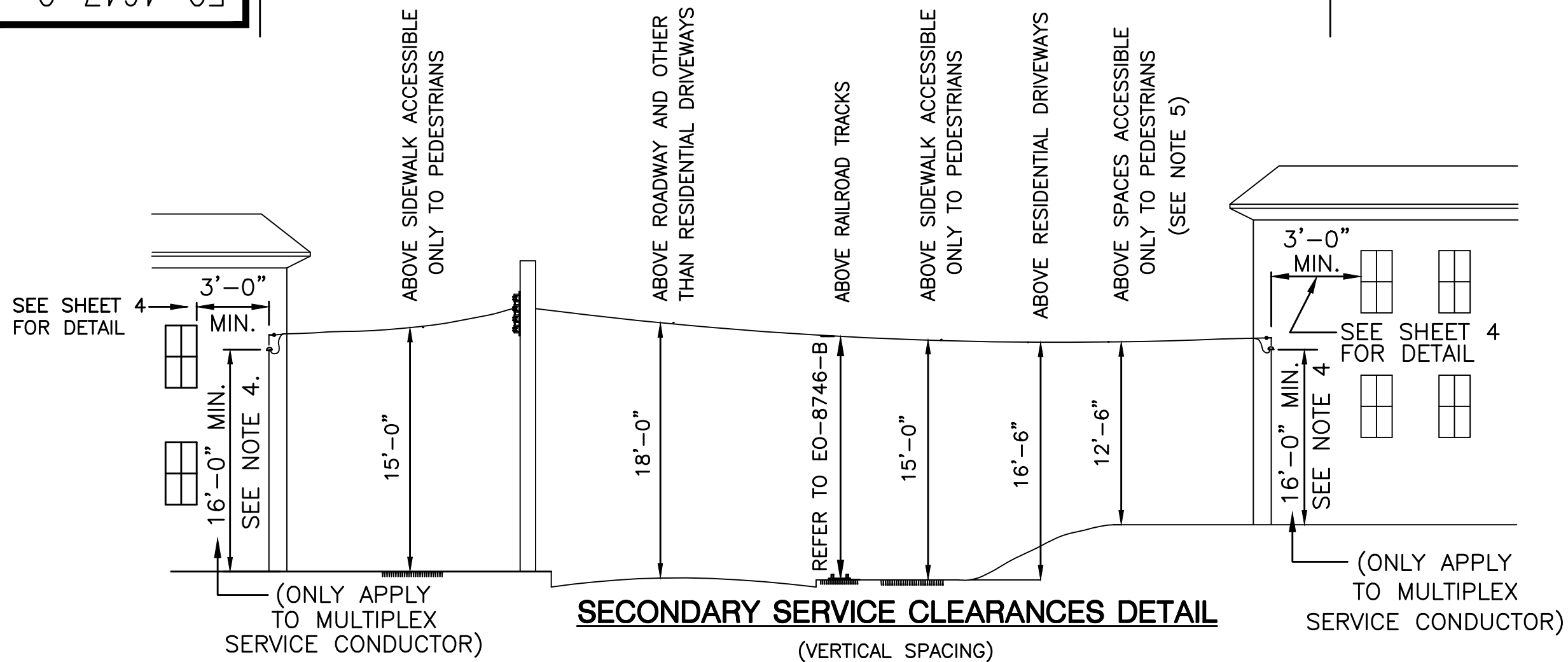
DATE 6/04/64  
LAST REV. 6/29/20

DWG. NO. **EO-4647-C** REV. **18** SH **2** OF **8**

NO	REVISION	PROJ ENG'R	DATE	DRAWN BY	DATE	CHECKED BY	DATE	APPROVED
18	SEE REVISION BOX ON SHEET 5 OF 8 FOR CHANGES TO THIS SHEET. H.J.M./K.T. 6/29/2020	H. ANWAR	6/29/20	SHMUCKER	3/17/61	HAVILAND	3/20/61	MGR. MANAGER CIVIL DESIGN
				DISCIPLINE CODE TE		SCALE NONE		CAVAGNET ELECT DISTRIBUTION ENGR
								DATE 6/13/61 DATE

EO-4647-C

**MINIMUM CLEARANCES**



CLEARANCES APPLY TO CONDUCTORS UNDER MAXIMUM SAG AND/OR DISPLACEMENT CONDITIONS.

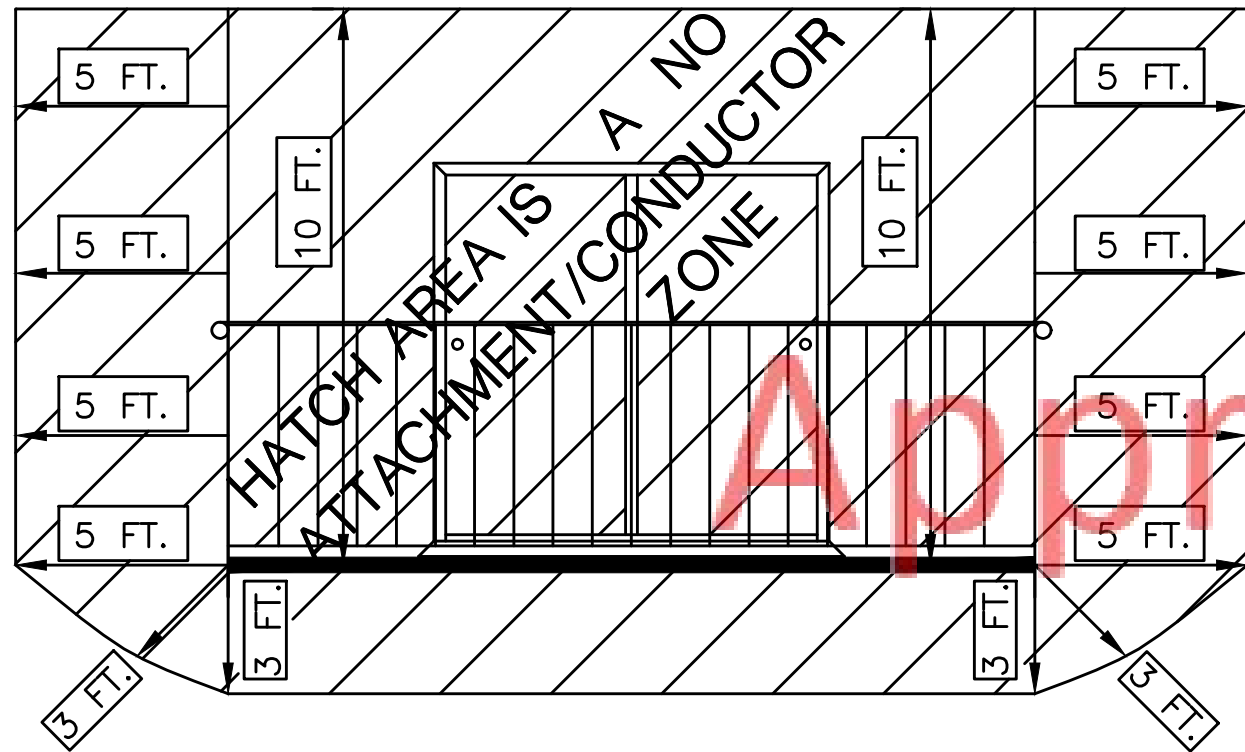
**NOTES:**

1. THE ABOVE MINIMUM CLEARANCE FOR OVERHEAD WIRES PROVIDE COMPLIANCE WITH THE LATEST NATIONAL ELECTRICAL SAFETY CODE.
2. DISTRIBUTION CIRCUITS SHALL NOT BE CROSSING OVER BUILDINGS UNLESS AUTHORIZED BY DISTRIBUTION ENGINEERING.
3. CUSTOMER'S BUILDING EXTENSION SUCH AS, FIRE ESCAPES, BALCONIES, ETC. SHALL BE CONSIDERED IN DETERMINING THE REQUIRED CLEARANCE OF SELF-SUPPORTING MULTIPLEX SERVICE-DROP CONDUCTORS INCLUDING DRIP LOOPS WHICH SHALL HAVE THE FOLLOWING CLEARANCE TO BUILDING ATTACHMENTS:
  - 10'-0" VERTICAL CLEARANCE FROM THE HIGHEST POINT OF THE READILY ACCESSIBLE ROOF, BALCONY, ATTACHED DECK, FIRE ESCAPE OR OTHER STRUCTURE WHICH IT PASSES OR IS ATTACHED TO.
    - THIS CLEARANCE OVER A ROOF OR BALCONY, INCLUDING THE DRIP LOOP MAY BE REDUCED TO MINIMUM OF 3'-0" IF THE ROOF IN QUESTION IS NOT READILY ACCESSIBLE AND ALL OTHER CLEARANCES CAN BE MAINTAINED.
    - FOR PIPE MAST CLEARANCES REFER TO EO-8746-B.
  - 5'-0" HORIZONTAL CLEARANCE FROM PORCHES, DECKS, FIRE ESCAPES, OR OTHER SIMILARLY ATTACHED STRUCTURES.
  - 3'-0" VERTICAL CLEARANCE BELOW PORCHES, DECKS, FIRE ESCAPES OR OTHER SIMILARLY ATTACHED STRUCTURES.

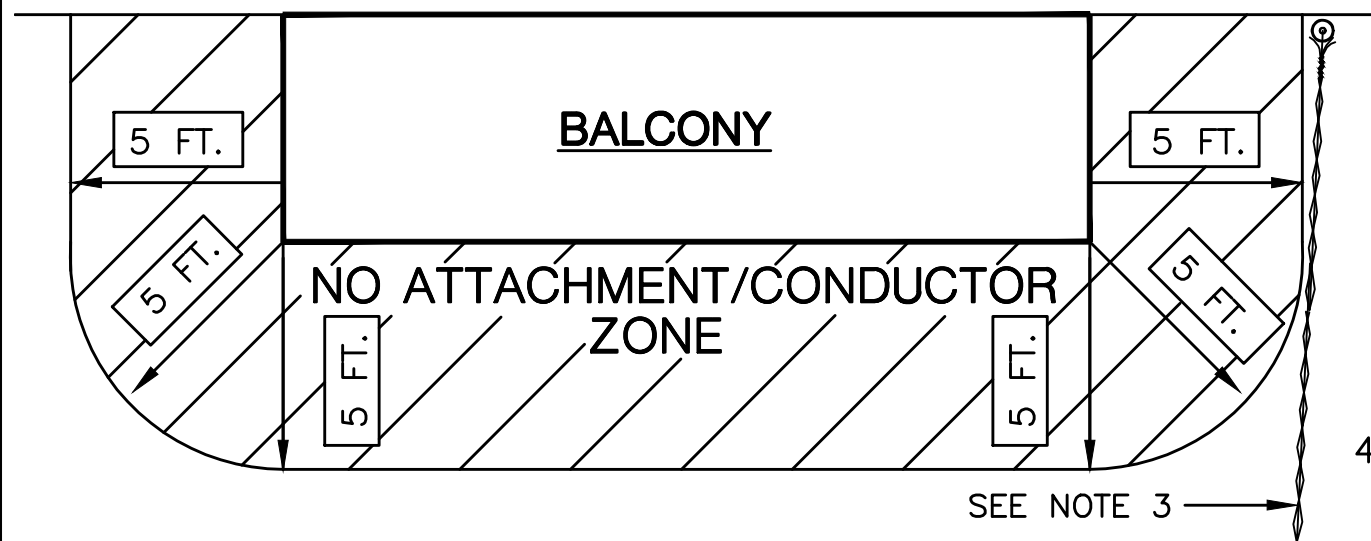
**NOTE:** A ROOF, BALCONY, PORCH, OR ATTACHED DECK IS CONSIDERED READILY ACCESSIBLE TO PEDESTRIANS IF IT CAN BE CASUALLY ACCESSED THROUGH A DOORWAY, WINDOW, RAMP, STAIRWAY, OR PERMANENTLY MOUNTED LADDER BY A PERSON, ON FOOT, WHO NEITHER EXERTS EXTRAORDINARY PHYSICAL EFFORT NOR EMPLOYS TOOLS OR DEVICES TO GAIN ENTRY. A PERMANENTLY MOUNTED LADDER IS NOT CONSIDERED A MEANS OF ACCESS IF ITS BOTTOM RUNG IS 2.45 M (8 FT) OR MORE FROM THE GROUND OR OTHER PERMANENTLY INSTALLED ACCESSIBLE SURFACE, OR IS OTHERWISE EQUIPPED WITH BARRIERS TO INHIBIT CLIMBING BY UNAUTHORIZED PERSONS. THE FOLLOWING ITEMS ARE NOT CONSIDERED READILY ACCESSIBLE:

- CASES IN WHICH CASUAL ACCESS CAN ONLY BE MADE VIA A WINDOW AND THIS ACCESS IS MADE UNAVAILABLE VIA PERMANENTLY INSTALLED MEASURES
- A ROOF WITH A STEEP PITCH. A STEEP PITCH IS DEFINED AS GREATER THAN 45 DEGREES.
- A ROOF OR BALCONY THAT EXTENDS LESS THAN 18 INCHES FROM A WINDOW.

4. IN WESTCHESTER THE ATTACHMENT HEIGHT ON SECONDARY SERVICE (INCLUDES DRIP LOOPS) TO BUILDING MAY BE REDUCED TO 12'-0" PROVIDED ALL OTHER CLEARANCES CAN BE MAINTAINED.
5. CLEARANCE TO WIRES INSTALLED OVER OR NEAR SWIMMING AREAS SHALL BE NOT LESS THAN 25'-0" IN ANY DIRECTION FROM THE WATER LEVEL, EDGE OF POOL, BASE OF DIVING PLATFORM OR ANCHORED RAFT. THE 25'-0" CLEARANCE APPLIES TO IN-GROUND AND PERMANENTLY INSTALLED ABOVE GROUND POOLS.



**ELEVATION VIEW**



**PLAN VIEW**

**MINIMUM CLEARANCE REQUIREMENT DETAIL**  
(ATTACHMENT POINT AT THE BUILDING) (SEE NOTE 3)

**OVERHEAD DISTRIBUTION CLEARANCES (SECONDARY & SERVICE CLEARANCES)**

CONSOLIDATED EDISON COMPANY OF N.Y., INC.  
DISTRIBUTION ENGINEERING DEPT

COMPUTER GENERATED DRAWING NOT TO BE HAND REVISED

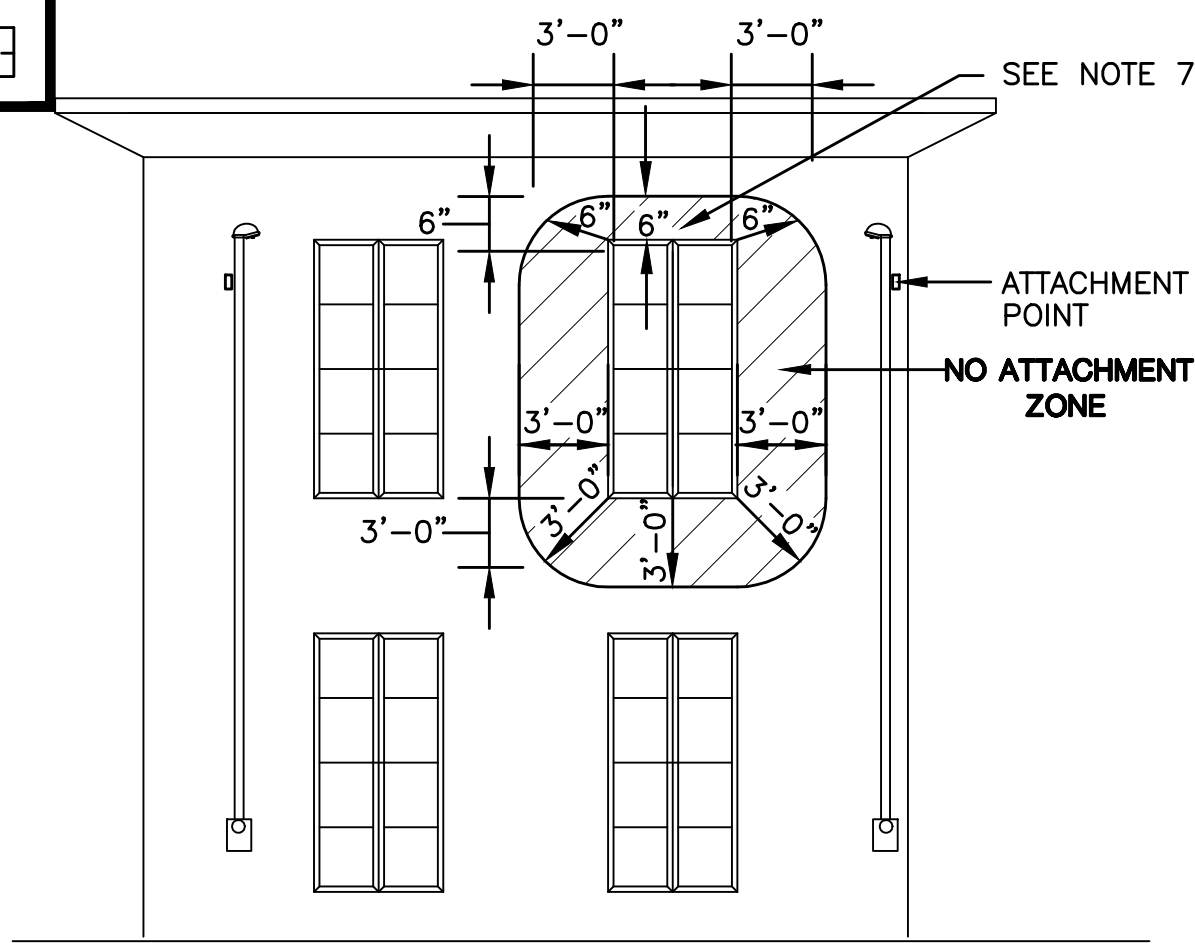
DATE 6/04/64  
LAST REV. 6/29/20

DWG. NO. **EO-4647-C REV. 18**

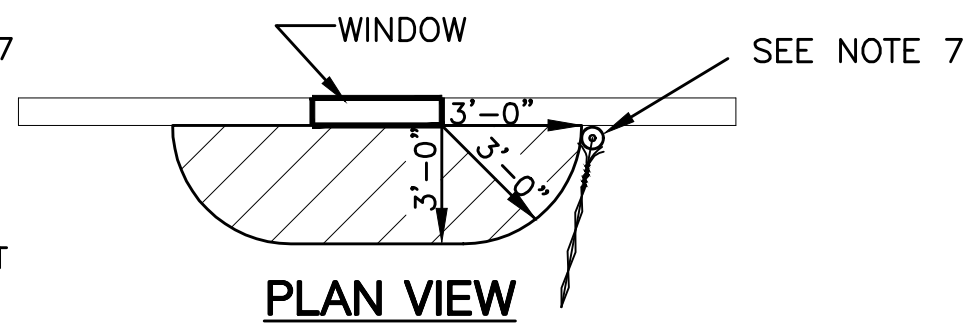
SH 3 OF 8

NO	REVISION	PROJ ENG'R	DATE	DRAWN BY	DATE	CHECKED BY	DATE	APPROVED
18	SEE REVISION BOX ON SHEET 5 OF 8 FOR CHANGES TO THIS SHEET. H.J.M./K.T. 6/29/2020	H. ANWAR	6/29/20	SHMUCKER	3/17/61	HAVILAND	3/20/61	MGR. MANAGER CIVIL DESIGN
				DISCIPLINE CODE TE		SCALE NONE		CAVAGNET ELECT DISTRIBUTION ENGR
								DATE 6/13/61 DATE

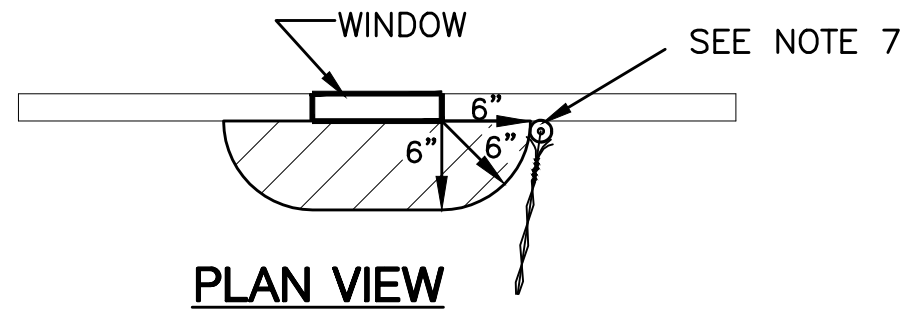
EO-4647-C



**FRONT ELEVATION VIEW**



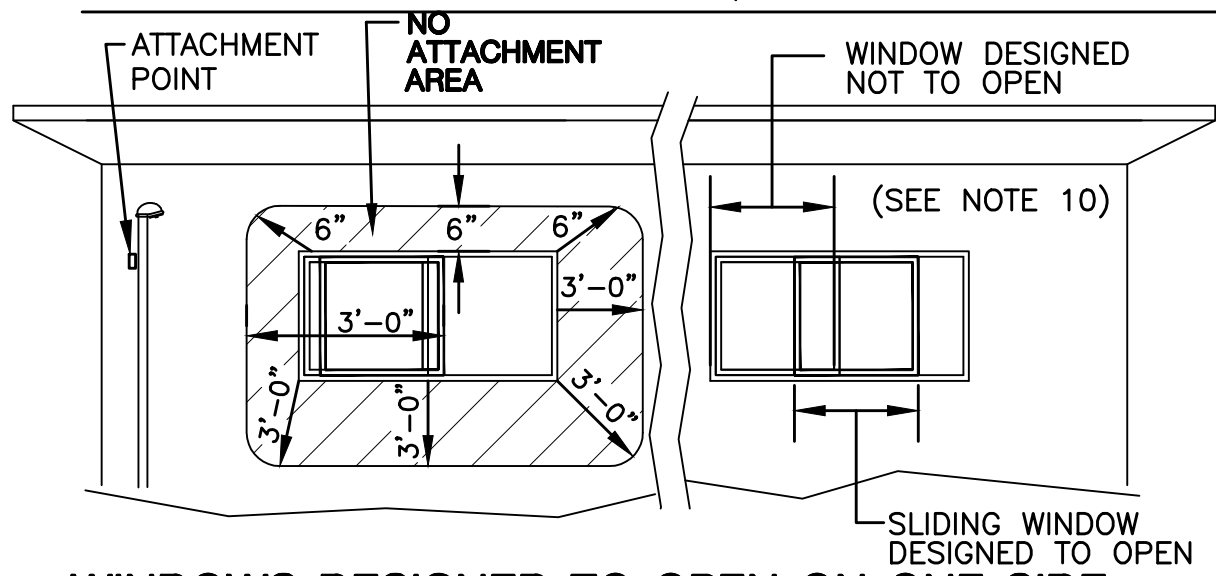
**WINDOWS DESIGNED TO OPEN**



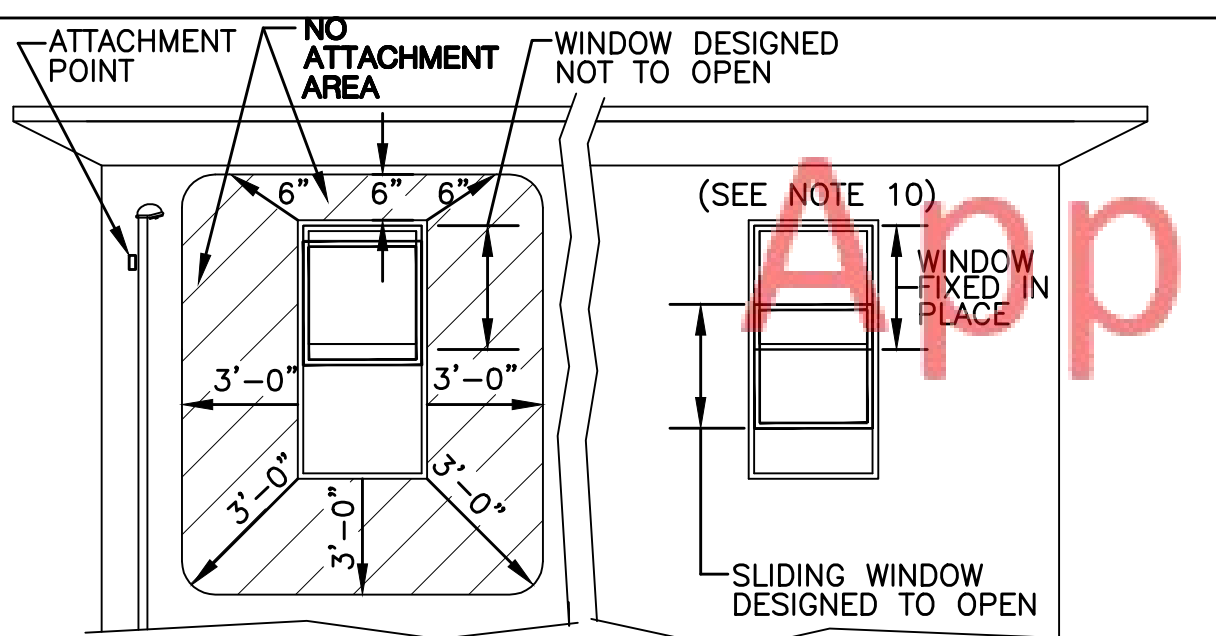
**WINDOWS DESIGNED NOT TO OPEN**

**SERVICE ATTACHMENT DETAIL**

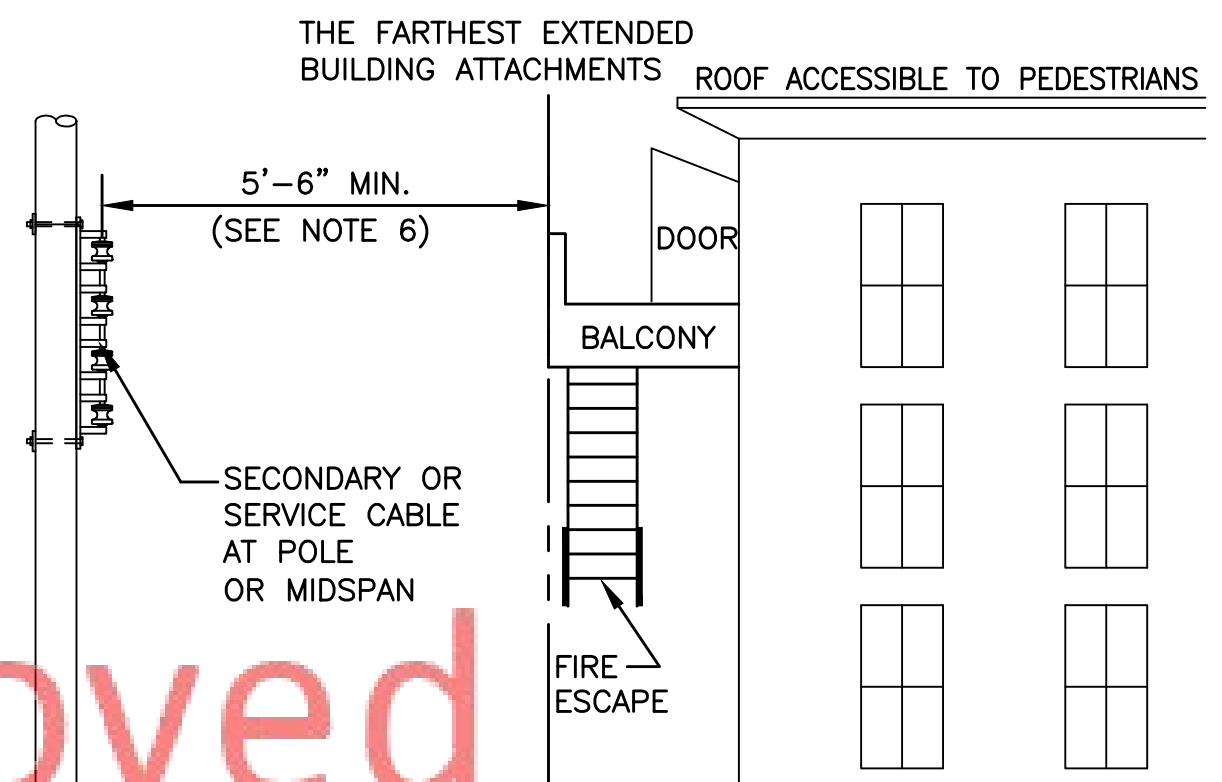
(FOR CLEARANCE OF SELF-SUPPORTING MULTIPLEX SERVICE DROP CONDUCTORS INCLUDING DRIP LOOPS)



**WINDOWS DESIGNED TO OPEN ON ONE SIDE**



**WINDOWS DESIGNED TO OPEN ON ONE SIDE**



**HORIZONTAL SPACING DETAIL**  
(CONDUCTOR NOT ATTACHED TO BUILDING) (SEE NOTE 6)

**NOTES:**

6. FOR MULTIPLEX OR OPEN SUPPLY SERVICE CONDUCTORS, ADJACENT BUT NOT ATTACHED TO BUILDING, A MINIMUM HORIZONTAL DISTANCE OF 5'-6" SHALL BE MAINTAINED IN ANY DIRECTION FROM THE EDGE OF THE FARTHEST EXTENDED BUILDING ATTACHMENTS: WINDOWS, DOORS, FIRE ESCAPES, BALCONIES, ROOFS ACCESSIBLE TO PEDESTRIANS OR SIMILAR LOCATIONS.
7. SELF SUPPORTING MULTIPLEX SERVICE DROP CONDUCTORS (INCLUDING DRIP LOOPS):
  - (A) FOR WINDOWS THAT ARE DESIGNED TO OPEN, CLEARANCE SHALL BE NOT LESS THAN 3'-0" IN ANY DIRECTION FROM AND INCLUDING CROSSING IN FRONT OF WINDOWS EXCEPT ABOVE TOP LEVEL OF A WINDOW WHICH CAN BE REDUCED; HOWEVER SHALL BE NOT LESS THAN 6" INCLUDING DRIP LOOPS.
  - (B) FOR WINDOWS THAT ARE DESIGNED NOT TO OPEN, PERMIT LESSER CLEARANCES; HOWEVER SHALL BE NOT LESS THAN 6" IN ANY DIRECTION FROM AND INCLUDING CROSSING IN FRONT OF WINDOWS.
  - (C) FOLLOW THE CLEARANCE ON NOTE 7(A) IF A WINDOW "DESIGNED NOT TO OPEN" VS "DESIGNED TO OPEN" CANNOT BE DETERMINED.
8. FOR CLEARANCE OF OPEN SECONDARY SERVICE CONDUCTOR REFER TO EO-6218-B.
9. THE ABOVE MINIMUM CLEARANCE FOR OVERHEAD WIRES PROVIDE COMPLIANCE WITH THE LATEST NATIONAL ELECTRICAL CODE AND NATIONAL ELECTRICAL SAFETY CODE.
10. FOR SLIDING GLASS WINDOWS WHERE ONLY ONE SIDE OF THE WINDOW IS DESIGNED TO OPEN, A 3'-0" CLEARANCE SHALL BE MAINTAINED FROM ALL OPEN POSITIONS OF THE WINDOW EXCEPT THE TOP OF THE WINDOW, WHERE 6" MIN. CLEARANCE SHALL BE MAINTAINED. NOTE SUCH WINDOWS OR PORTIONS MUST BE PERMANENTLY FIXED.

**OVERHEAD DISTRIBUTION CLEARANCES (SECONDARY & SERVICE CLEARANCES)**

CONSOLIDATED EDISON COMPANY OF N.Y., INC.  
DISTRIBUTION ENGINEERING DEPT

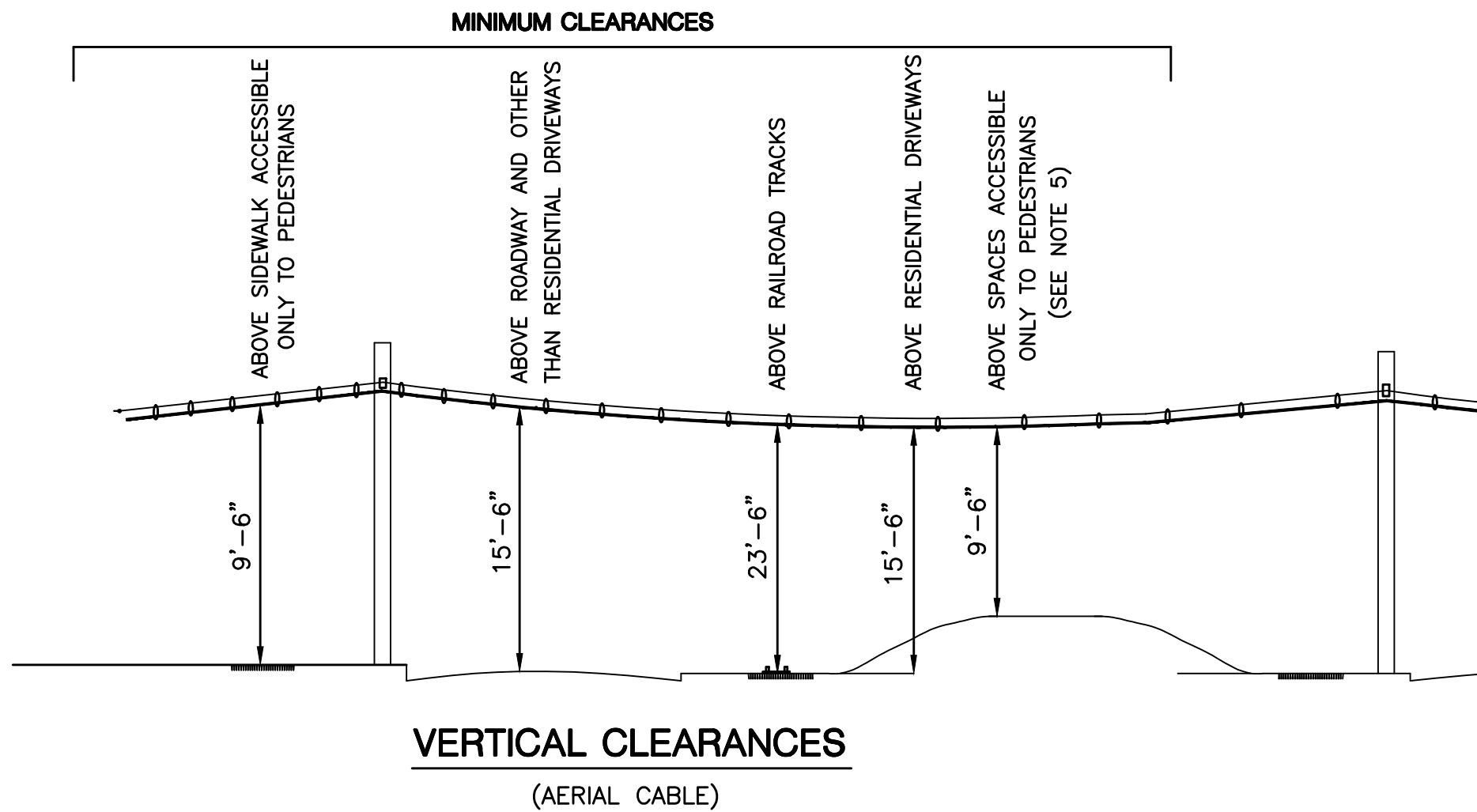
COMPUTER GENERATED DRAWING NOT TO BE HAND REVISED

DATE 6/04/64  
LAST REV. 6/29/20

DWG. NO. **EO-4647-C REV. 18**

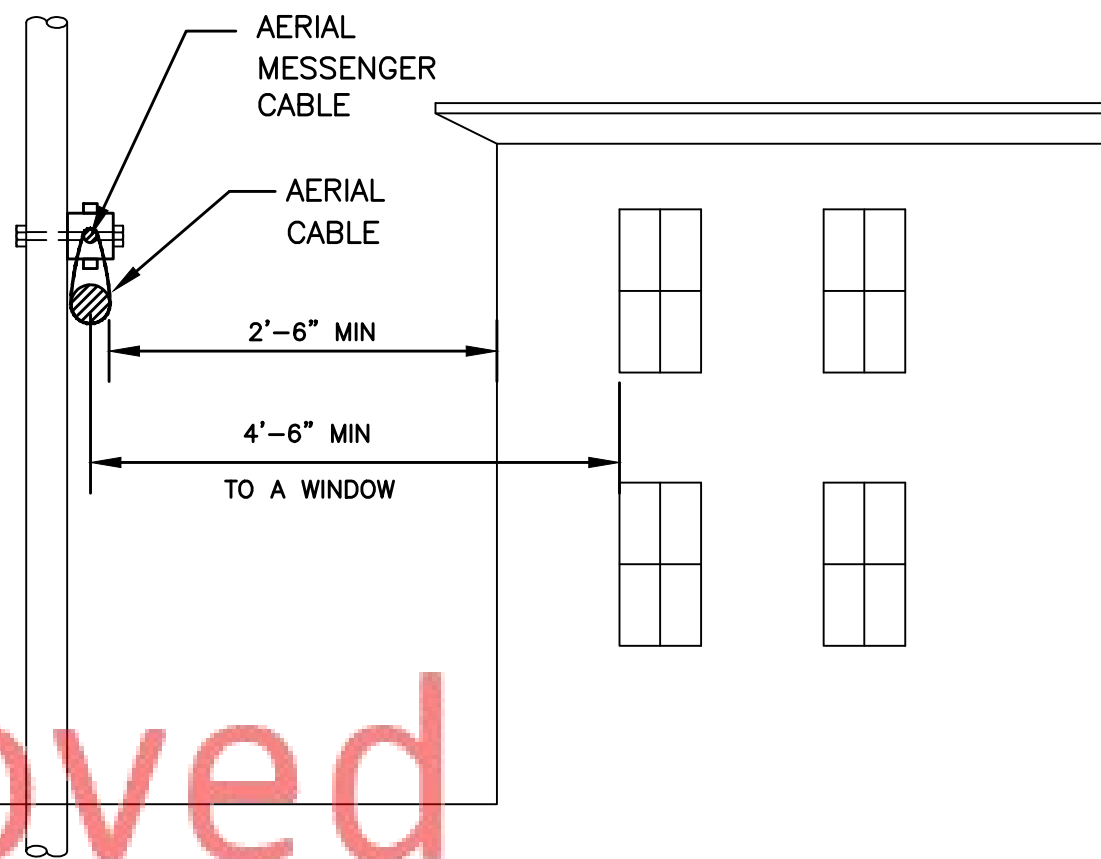
SH 4 OF 8

NO	REVISION	PROJ ENG'R	DATE	DRAWN BY	DATE	CHECKED BY	DATE	APPROVED
18	SEE REVISION BOX ON SHEET 5 OF 8 FOR CHANGES TO THIS SHEET. H.J.M./K.T. 6/26/2020	H. ANWAR	6/26/20	SHMUCKER	3/17/61	HAVILAND	3/20/61	MGR. MANAGER CIVIL DESIGN CAVAGNET ELECT DISTRIBUTION ENGR
				DISCIPLINE CODE TE		SCALE NONE		DATE 6/13/61



**NOTES:**

1. THE ABOVE MINIMUM CLEARANCE FOR OVERHEAD WIRES PROVIDE COMPLIANCE WITH THE LATEST NATIONAL ELECTRICAL SAFETY CODE.
2. DISTRIBUTION CIRCUITS SHALL NOT BE CROSSING OVER BUILDINGS UNLESS AUTHORIZED BY DISTRIBUTION ENGINEERING.
3. CUSTOMER'S BUILDING EXTENSION SUCH AS, FIRE ESCAPES, BALCONIES, ETC. SHALL BE CONSIDERED IN DETERMINING THE REQUIRED CLEARANCES OF CONDUCTORS.
4. IN WESTCHESTER THE ATTACHMENT HEIGHT ON SECONDARY SERVICE (INCLUDES DRIP LOOPS) TO BUILDING MAY BE REDUCED TO 12'-0" PROVIDED ALL OTHER CLEARANCES CAN BE MAINTAINED.
5. CLEARANCE TO WIRES INSTALLED OVER OR NEAR SWIMMING AREA SHALL BE NOT LESS THAN 25'-0" IN ANY DIRECTION FROM THE LEVEL, EDGE OF POOL, BASE OF DIVING PLATFORM OR ANCHORED RAFT.



CLEARANCES APPLY TO CONDUCTORS UNDER MAXIMUM SAG AND/OR DISPLACEMENT CONDITIONS.

**HORIZONTAL CLEARANCES DETAIL**  
(AERIAL CABLE)

NO	REVISION	PROJ. ENGR	DATE
18	<p>SHEET 1 OF 8 - IN PRIMARY VERTICAL CLEARANCES DETAIL UNDER "ABOVE R.R. TRACKS" ADDED WORDS "SEE NOTE 7". - IN VERTICAL: REFER TO DISTRIBUTION ENGINEERING ADDED WORDS "SEE NOTE 2"</p> <p>SHEET 2 OF 8 - IN EQUIPMENT POLE CLEARANCE DETAIL UNDER PROTECTIVE BARRIER GUARD ADDED WORDS "SEE NOTE 4"</p> <p>SHEET 3 OF 8 - REVISED NOTE 3 AND REMOVED THE DIMENSION BOX. - UPDATED TITLES OF ATTACHMENT AND NO ATTACHMENT ZONES.</p> <p>SHEET 4 OF 8 - ADDED LAYOUT FOR "WINDOWS DESIGNED TO OPEN ON ONE SIDE". - ADDED NOTE 10.</p> <p>SHEET 5 OF 8 - MOVED REVISION BOX FROM SHEET 7 TO SHEET 5.</p> <p>SHEET 6 OF 8 - UPDATED NOTES 1, 2, &amp; 4. ADDED NOTE 7. - UPDATED TITLES FOR DIAGRAMS TO SPECIFY IF WITH OR WITHOUT PRECAUTIONARY MEASURES. - REMOVED WORDS "PROTECTED" OR "UNPROTECTED" FROM SECONDARY &amp; PRIMARY CONDUCTORS AND ADD "WITH" OR "WITHOUT PRECAUTIONARY MEASURES" ACCORDINGLY. - UPDATED TITLES FOR DIAGRAMS TO SPECIFY IF WITH OR WITHOUT PRECAUTIONARY MEASURES. - UPDATED TITLE FOR SHEET.</p> <p>SHEET 7 OF 8 - UPDATED NOTES 1, 2, &amp; 4. ADDED NOTE 8. - UPDATED TITLES FOR DIAGRAMS TO SPECIFY IF WITH OR WITHOUT PRECAUTIONARY MEASURES. - REMOVED WORDS "PROTECTED" OR "UNPROTECTED" FROM SECONDARY &amp; PRIMARY CONDUCTORS AND ADD "WITH" OR "WITHOUT PRECAUTIONARY MEASURES" ACCORDINGLY. - REMOVED BUILDINGS FROM DIAGRAMS. - UPDATED TITLE FOR SHEET.</p> <p>SHEET 8 OF 8 - ADDED NOTES 7 &amp; 8. - ADDED "A" AND "B" TO THE CLEARANCE TABLES. - UPDATED TITLES OF BOTH DIAGRAMS - ADDED ANTENNA AND REFERENCE TO NOTE 7 IN CLEARANCE DETAIL FOR SUSPENDED TRAFFIC SIGNAL WIRE AND STANDALONE ADJACENT POLES WITH ATTACHMENTS. - ADDED PRIMARY AND SECONDARY CONDUCTORS TO BOTTOM DIAGRAM. - UPDATED TITLES OF BOTH DIAGRAMS</p>	H. ANWAR	6/29/20

H.J.M./K.T.

6/29/2020

**OVERHEAD DISTRIBUTION CLEARANCES (AERIAL CABLE CLEARANCES)**

CONSOLIDATED EDISON COMPANY OF N.Y., INC.  
DISTRIBUTION ENGINEERING DEPT

COMPUTER GENERATED DRAWING NOT TO BE HAND REVISED

DATE 6/04/64  
LAST REV. 6/29/20

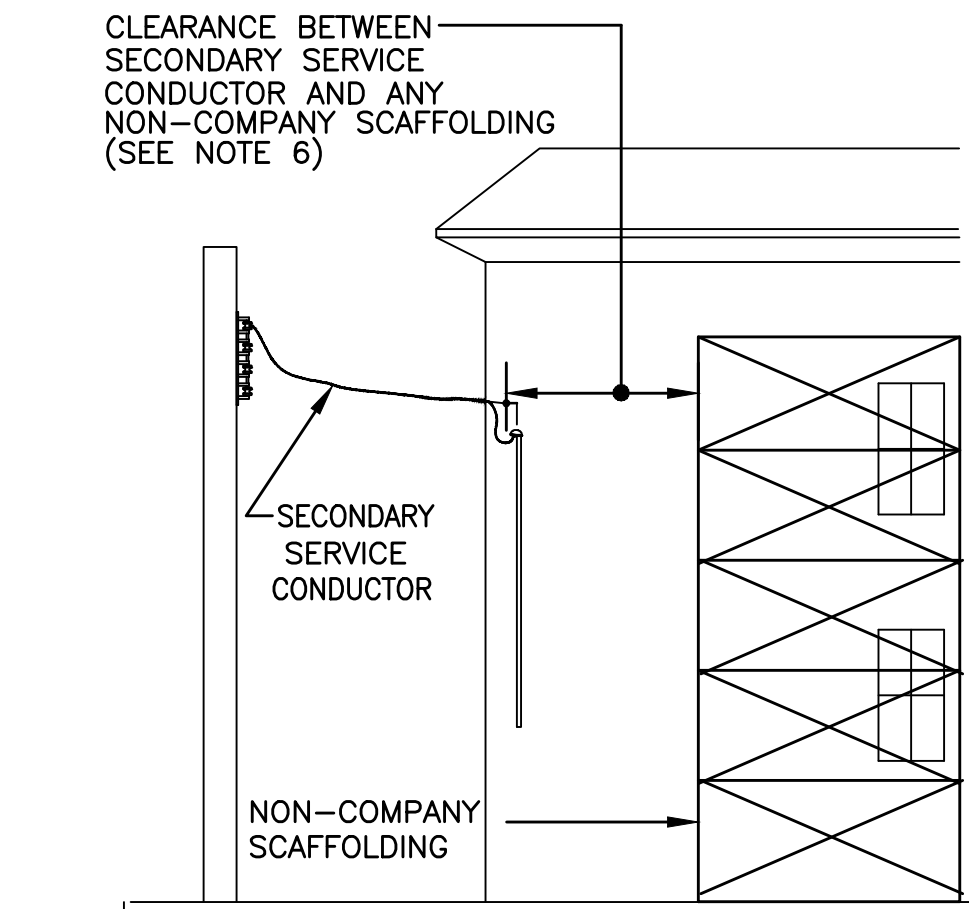
DWG. NO. **EO-4647-C REV. 18**

SH 5 OF 8

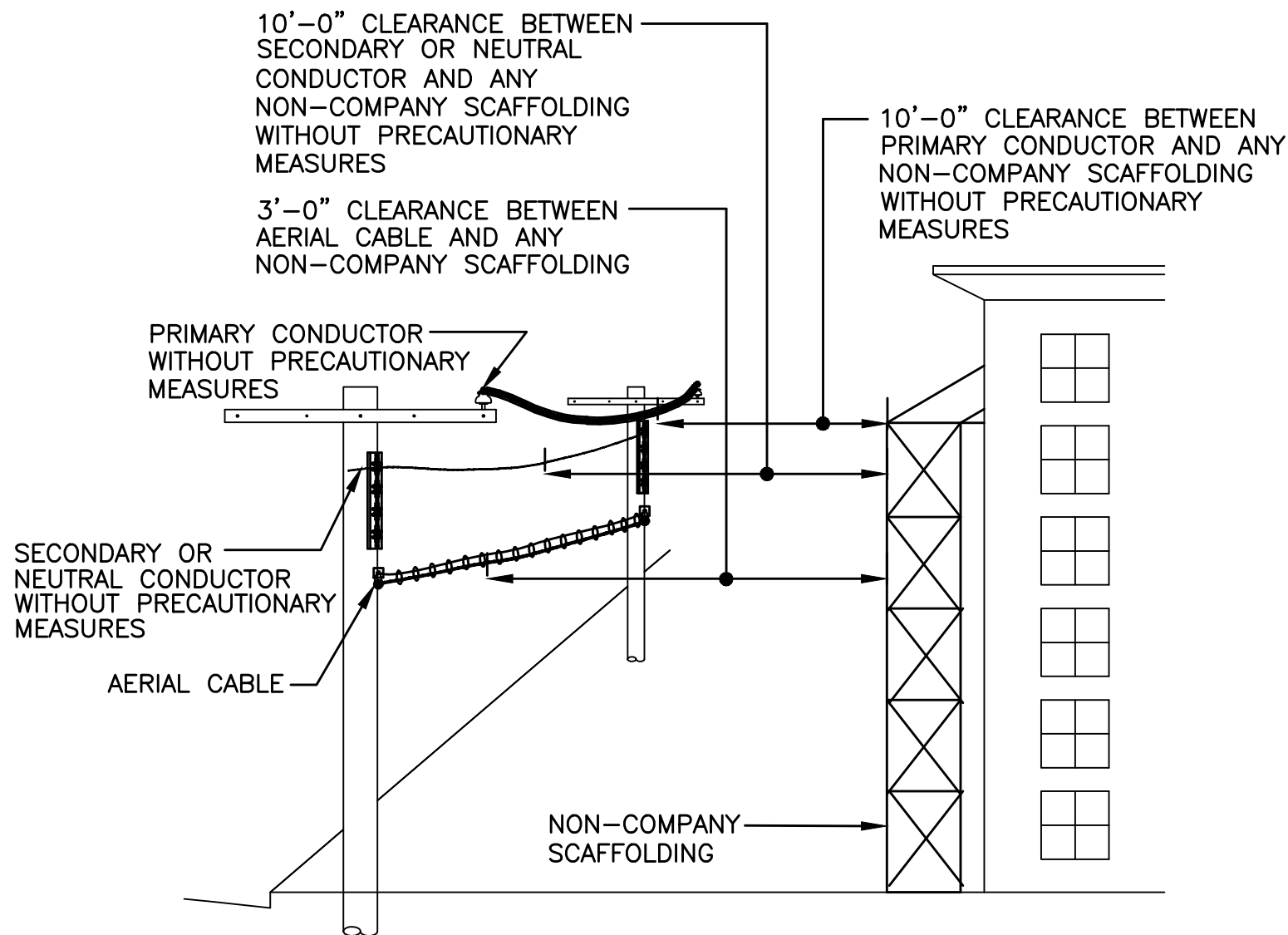
NO	REVISION	PROJ. ENGR	DATE	DRAWN BY	DATE	CHECKED BY	DATE	APPROVED
18	SEE REVISION BOX ABOVE FOR CHANGES TO THIS SHEET	H. ANWAR	6/29/20	SHMUCKER	3/17/61	HAVILAND	3/20/61	MGR. MANAGER CIVIL DESIGN
	H.J.M.		6/26/2020					CAVAGNET ELECT DISTRIBUTION ENGR

DATE 6/13/61

EO-4647-C



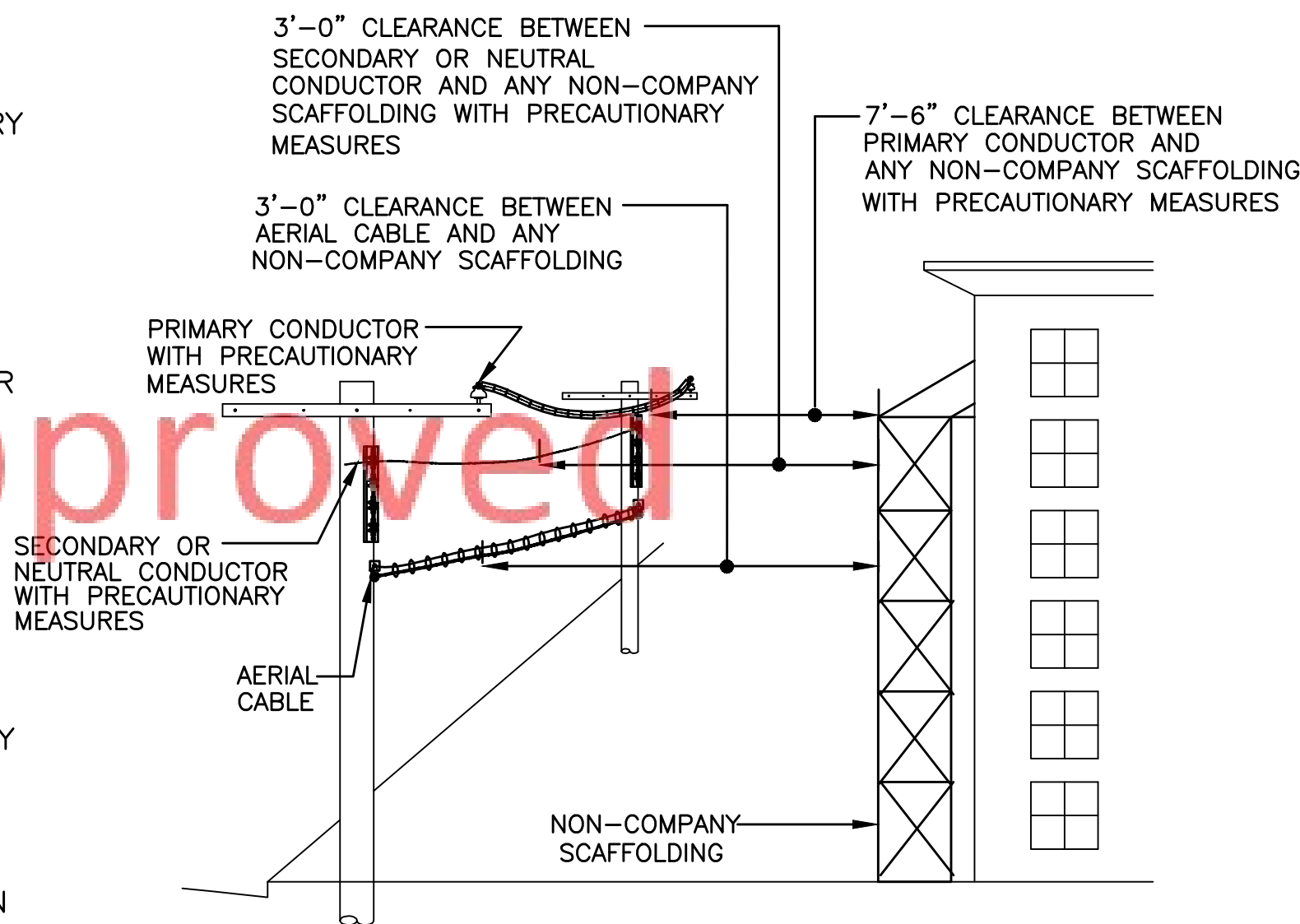
**CLEARANCE DETAIL BETWEEN SECONDARY SERVICE CONDUCTOR AND NON-COMPANY SCAFFOLDING**



**CLEARANCE DETAIL BETWEEN CONDUCTORS AND NON-COMPANY SCAFFOLDING WITHOUT PRECAUTIONARY MEASURES**

**NOTES:**

1. MAINTAIN 10'-0" CLEARANCE BETWEEN PRIMARY OR SECONDARY CONDUCTOR AND SCAFFOLDING WITHOUT PRECAUTIONARY MEASURES.
2. MAINTAIN 7'-6" CLEARANCE BETWEEN PRIMARY CONDUCTOR AND SCAFFOLDING WITH PRECAUTIONARY MEASURES. SEE NOTE 4 FOR PRECAUTIONARY MEASURES.
3. ALL CLEARANCES ARE IN ACCORDANCE WITH EOP 5027.
4. PRECAUTIONARY MEASURES SHALL INCLUDE INSTALLING DEVICES SUCH AS LINE GUARD, RUBBER HOSE AND BLANKETS, INSULATOR HOODS OR ANY OTHER DEVICE APPROVED BY DISTRIBUTION ENGINEERING OR DE-ENERGIZING OF THE CONDUCTORS TO BE WORKED ON.
5. THE ABOVE MINIMUM CLEARANCE FOR OVERHEAD WIRES PROVIDE COMPLIANCE WITH THE LATEST OCCUPATIONAL SAFETY AND HEALTH ADMINISTRATION STANDARDS (OSHA 1926.451).
6. MAINTAIN 10'-0" CLEARANCE FOR OPEN SECONDARY SERVICE CONDUCTOR; MAINTAIN 3'-0" CLEARANCE FOR SELF-SUPPORTING MULTIPLEX SERVICE DROP CONDUCTORS INCLUDING DRIP LOOPS.
7. THE CLEARANCES PROVIDED APPLY TO DISTRIBUTION LINES UP TO 33KV ONLY. IF WORK IS TO BE PERFORMED AROUND TRANSMISSION LINES, PLEASE REFER TO THE GUIDELINES STIPULATED IN CE-SI-1081.



**CLEARANCE DETAIL BETWEEN CONDUCTORS AND NON-COMPANY SCAFFOLDING WITH PRECAUTIONARY MEASURES**

CLEARANCES APPLY TO CONDUCTORS UNDER MAXIMUM SAG AND/OR DISPLACEMENT CONDITIONS.

**OVERHEAD DISTRIBUTION CLEARANCES (CLEARANCES FROM SCAFFOLDING)**

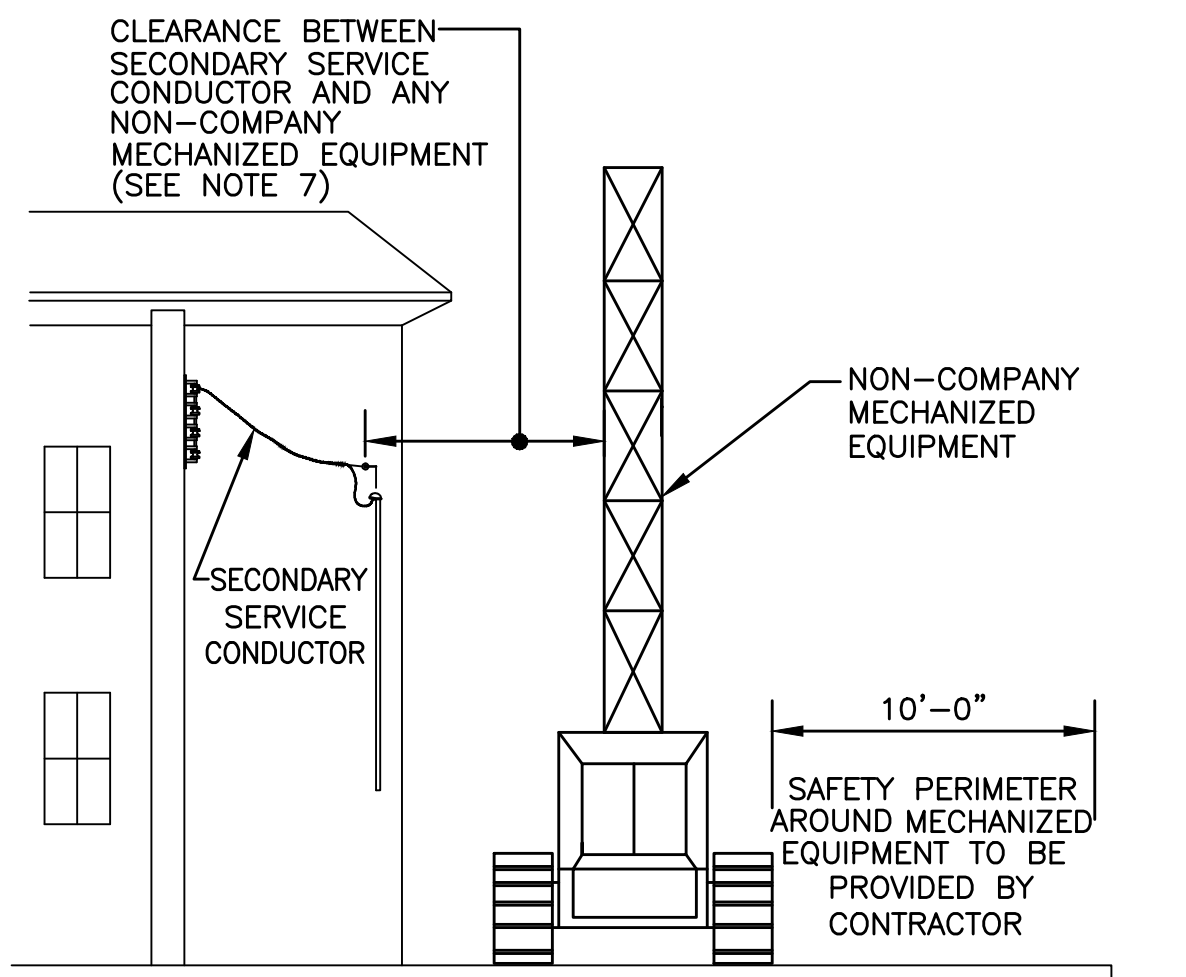
CONSOLIDATED EDISON COMPANY OF N.Y., INC.  
DISTRIBUTION ENGINEERING DEPT

COMPUTER GENERATED DRAWING NOT TO BE HAND REVISED

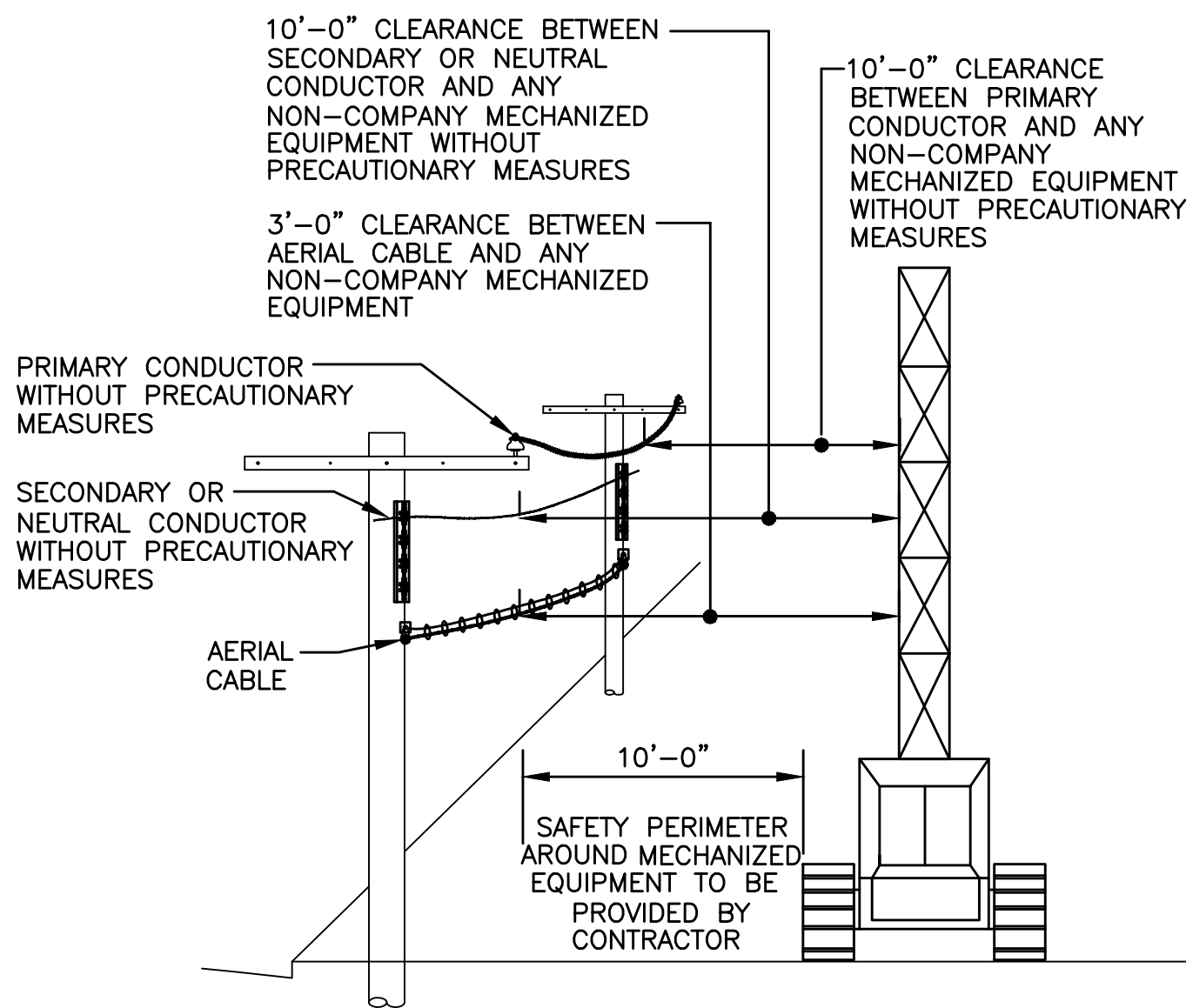
DATE 6/04/64  
LAST REV. 6/29/20

DWG. NO. **EO-4647-C** REV. **18** SH **6** OF **8**

NO	REVISION	PROJ ENG'R	DATE	DRAWN BY	DATE	CHECKED BY	DATE	APPROVED
18	SEE REVISION BOX ON SHEET 5 OF 8 FOR CHANGES TO THIS SHEET. H.J.M./K.T. 6/29/2020	H. ANWAR	6/29/20	SHMUCKER	3/17/61	HAVILAND	3/20/61	MGR. MANAGER CIVIL DESIGN
				DISCIPLINE CODE TE		SCALE NONE		CAVAGNET ELECT DISTRIBUTION ENGR
								DATE 6/13/61



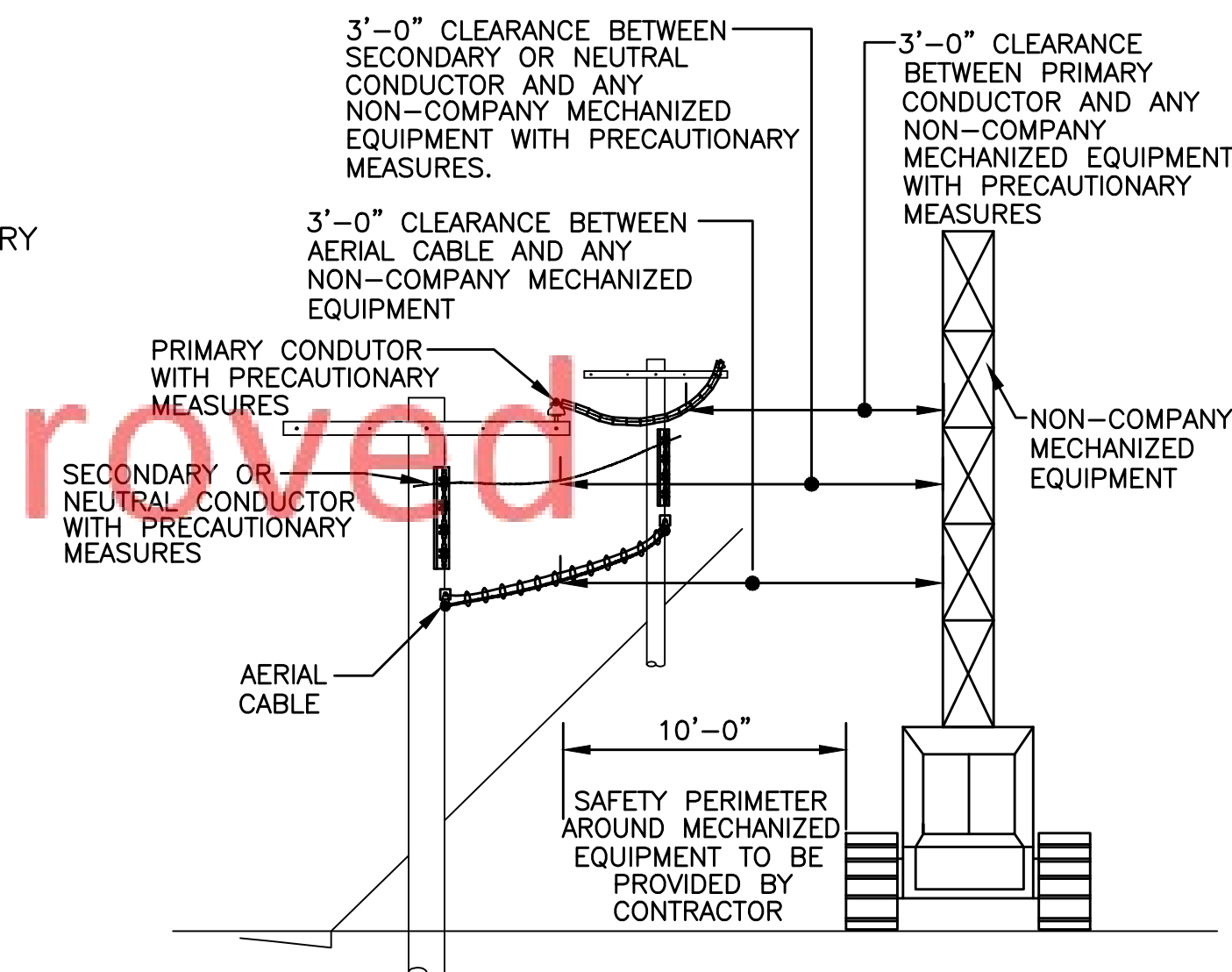
**CLEARANCE DETAIL BETWEEN SECONDARY SERVICE CONDUCTOR AND NON-COMPANY MECHANIZED EQUIPMENT**



**CLEARANCE DETAIL BETWEEN PRIMARY, SECONDARY, AND AERIAL CONDUCTORS FROM NON-COMPANY MECHANIZED EQUIPMENT WITHOUT ANY PRECAUTIONARY MEASURES**

**NOTES:**

1. MAINTAIN 10'-0" CLEARANCE BETWEEN PRIMARY OR SECONDARY CONDUCTOR AND BOOM OF CRANE OR BACKHOE OR ANY OTHER MECHANIZED EQUIPMENT WITHOUT PRECAUTIONARY MEASURES.
2. MAINTAIN 3'-0" CLEARANCE BETWEEN PRIMARY OR SECONDARY CONDUCTOR AND BOOM OF CRANE OR BACKHOE OR ANY OTHER MECHANIZED EQUIPMENT WITH PRECAUTIONARY MEASURES. SEE NOTE 5 FOR PRECAUTIONARY MEASURES.
3. MAINTAIN 10'-0" SAFETY PERIMETER AROUND CRANE OR BACKHOE OR ANY OTHER MECHANIZED EQUIPMENT.
4. ALL CLEARANCES ARE IN ACCORDANCE WITH EOP 5027.
5. PRECAUTIONARY MEASURES SHALL INCLUDE INSTALLING DEVICES SUCH AS LINE GUARD, RUBBER HOSE AND BLANKETS, INSULATOR HOODS OR ANY OTHER DEVICE APPROVED BY DISTRIBUTION ENGINEERING OR DE-ENERGIZING OF THE CONDUCTORS TO BE WORKED ON.
6. THE ABOVE MINIMUM CLEARANCE FOR OVERHEAD WIRES PROVIDE COMPLIANCE WITH THE LATEST OCCUPATIONAL SAFETY AND HEALTH ADMINISTRATION STANDARDS (OSHA 1926.1408).
7. MAINTAIN 10'-0" CLEARANCE FOR OPEN SECONDARY SERVICE CONDUCTOR; MAINTAIN 3'-0" CLEARANCE FOR SELF-SUPPORTING MULTIPLEX SERVICE DROP CONDUCTORS INCLUDING DRIP LOOPS.
8. THE CLEARANCES PROVIDED APPLY TO DISTRIBUTION LINES UP TO 33KV ONLY. IF WORK IS TO BE PERFORMED AROUND TRANSMISSION LINES, PLEASE REFER TO THE GUIDELINES STIPULATED IN CE-SI-1081.



**CLEARANCE DETAIL BETWEEN PRIMARY, SECONDARY, AND AERIAL CONDUCTORS FROM NON-COMPANY MECHANIZED EQUIPMENT WITH PRECAUTIONARY MEASURES**

CLEARANCES APPLY TO CONDUCTORS UNDER MAXIMUM SAG AND/OR DISPLACEMENT CONDITIONS.

FILING INFORMATION	
FIELD MANUAL No. 9 OVERHEAD CONSTRUCTION, SECT. 8; SERVICES, SECT. 12: 13k.V., SECT.13; 27kV, SECT. 14: 33kV.	
FIELD MANUAL No.16 SERV. INSPEC. & CONTROL, SECT. 4; ELECTRIC SERV.	
FIELD MANUAL No.17 SURVEY, SECT. 4; OVERHEAD.	
FIELD MANUAL No.23 O.H. CONSTRUCTION, SECT. 1.1; CLEARANCES.	
CONSTRUCTION STDS. MANUAL No. 3 SECT. 7: SERVICES AND RISERS	

**OVERHEAD DISTRIBUTION CLEARANCES (CLEARANCES FROM MECHANIZED EQUIPMENT)**

CONSOLIDATED EDISON COMPANY OF N.Y., INC.  
DISTRIBUTION ENGINEERING DEPT

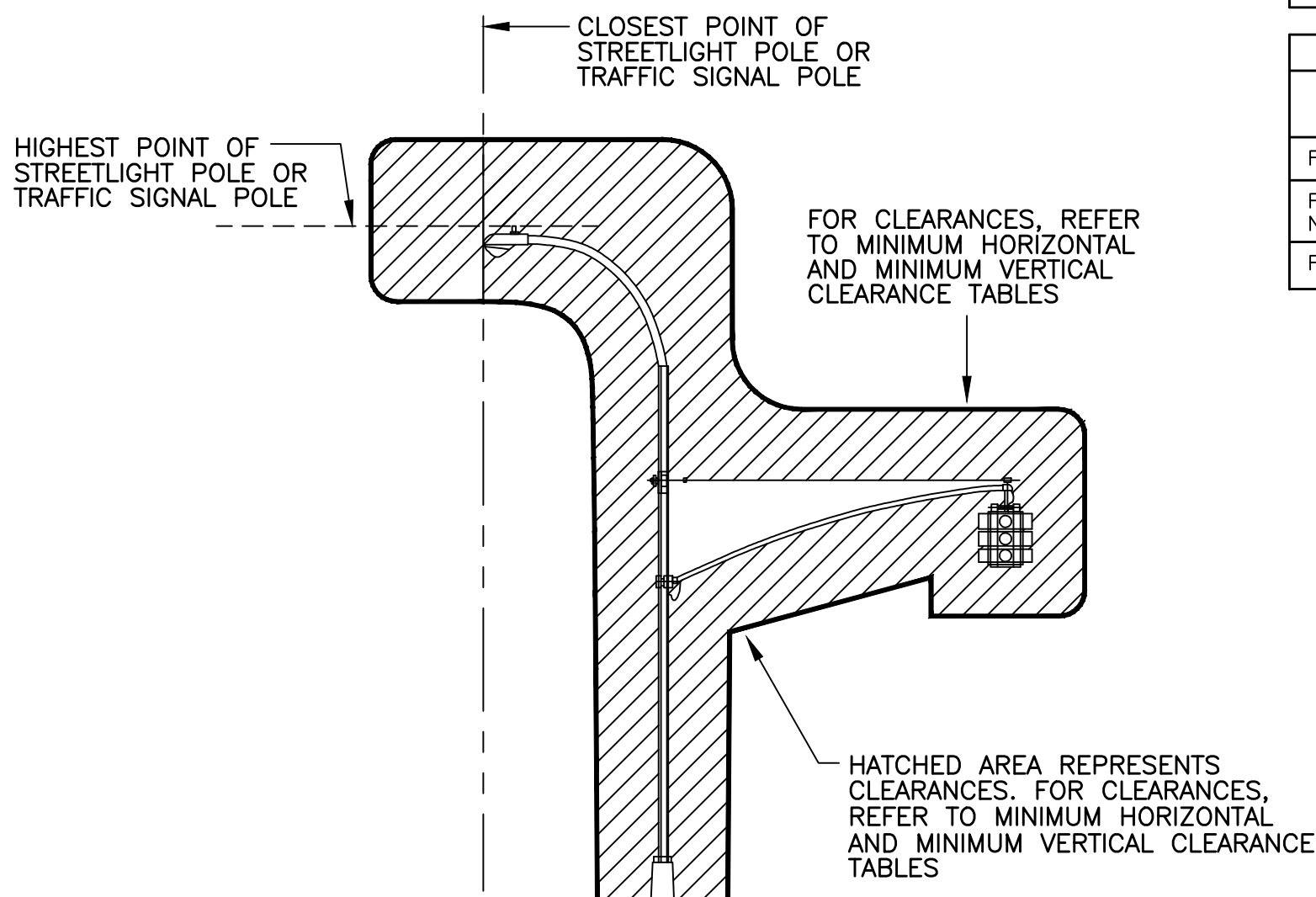
COMPUTER GENERATED DRAWING NOT TO BE HAND REVISED

DATE 6/04/64 DWG. NO. **EO-4647-C REV. 18** SH 7 OF 8  
LAST REV. 6/29/20

NO	REVISION	PROJ ENG'R	DATE	DRAWN BY	DATE	CHECKED BY	DATE	APPROVED
18	SEE REVISION BOX ON SHEET 5 OF 8 FOR CHANGES TO THIS SHEET. H.J.M./K.T. 6/29/2020	H. ANWAR	6/29/20	SHMUCKER	3/17/61	HAVILAND	3/20/61	MGR. MANAGER CIVIL DESIGN CAVAGNET ELECT DISTRIBUTION ENGR
				DISCIPLINE CODE TE		SCALE NONE		DATE 6/13/61

MINIMUM HORIZONTAL CLEARANCE TABLE A	
	THE CLOSEST POINT OF STREET LIGHT OR TRAFFIC SIGNAL POLE
FROM PRIMARY CONDUCTOR	7.5 FT.
FROM SECONDARY CONDUCTOR OR NEUTRAL	5 FT.
FROM AERIAL CABLE	5 FT.

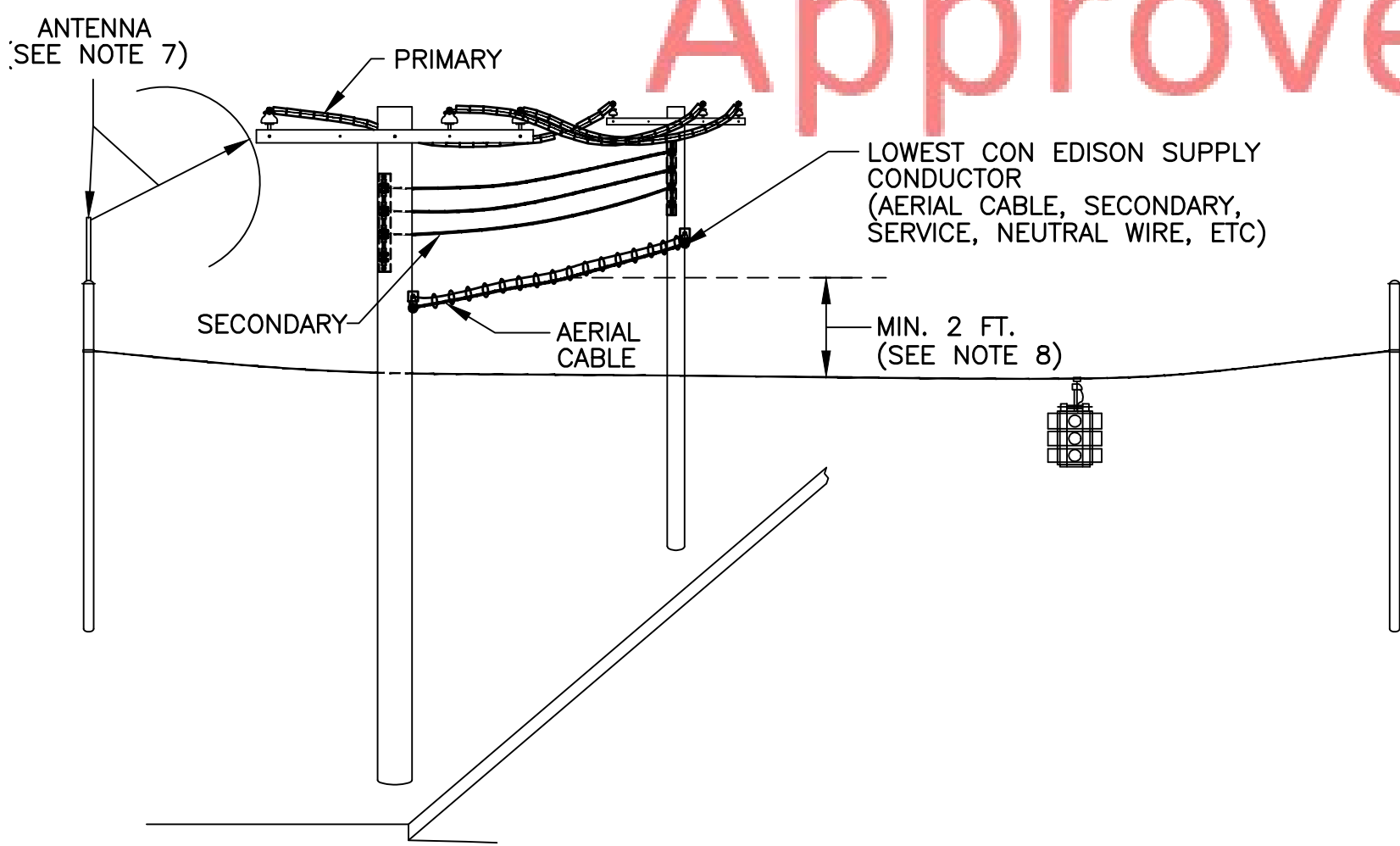
MINIMUM VERTICAL CLEARANCE TABLE B	
	THE HIGHEST POINT OF STREET LIGHT OR TRAFFIC SIGNAL POLE
FROM PRIMARY CONDUCTOR	4.5 FT.
FROM SECONDARY CONDUCTOR OR NEUTRAL	2 FT.
FROM AERIAL CABLE	4.5 FT.



**CLEARANCE DETAIL BETWEEN STANDALONE STREET LIGHT POLE OR TRAFFIC SIGNAL POLE AND OVERHEAD CONDUCTORS**

**NOTES:**

1. THE ABOVE MINIMUM CLEARANCE FOR OVERHEAD WIRES PROVIDE COMPLIANCE WITH THE LATEST ELECTRICAL CODE OF THE CITY OF NEW YORK AND THE LATEST EDITION OF NATIONAL ELECTRICAL SAFETY CODE.
2. MAINTAIN 7.5 FT. HORIZONTAL CLEARANCE BETWEEN PRIMARY AND CLOSEST POINT OF STREET LIGHT POLE OR TRAFFIC SIGNAL POLE.
3. MAINTAIN 5 FT. HORIZONTAL CLEARANCE BETWEEN SECONDARY OR AERIAL CABLE AND CLOSEST POINT OF STREET LIGHT POLE OR TRAFFIC SIGNAL POLE.
4. MAINTAIN 4.5 FT. VERTICAL CLEARANCE BETWEEN PRIMARY, AERIAL CABLE AND HIGHEST POINT OF STREET LIGHT POLE OR TRAFFIC SIGNAL POLE.
5. MAINTAIN 2 FT. VERTICAL CLEARANCE BETWEEN SECONDARY AND HIGHEST POINT OF STREET LIGHT POLE OR TRAFFIC SIGNAL POLE.
6. EITHER HORIZONTAL OR VERTICAL MINIMUM CLEARANCE REQUIRED ABOVE SHALL BE MAINTAINED.
7. POLE LINES THAT ARE ADJACENT TO OR PASS OVER STANDALONE SUPPORTING STRUCTURES (I.E. STUB POLE, STREET LIGHT POLE) AND HAVE ATTACHMENTS SUCH AS ANTENNAS, COMMUNICATION BOXES, POWER SUPPLY BOXES, ETC. ARE SUBJECTED TO THE CLEARANCES IN TABLES A AND B.
8. KEEP MIN. 2 FT. VERTICAL CLEARANCE BETWEEN SUSPENDED TRAFFIC SIGNAL WIRE AND LOWEST CON EDISON SUPPLY CONDUCTOR (AERIAL CABLE, SECONDARY, SERVICE, NEUTRAL WIRE, ETC).



**CLEARANCES DETAIL FOR SUSPENDED TRAFFIC SIGNAL WIRE AND STANDALONE ADJACENT POLES WITH ATTACHMENTS**

**OVERHEAD DISTRIBUTION CLEARANCES (CLEARANCE FROM TRAFFIC SIGNAL POLE AND STREET LIGHT)**

CONSOLIDATED EDISON COMPANY OF N.Y., INC.  
DISTRIBUTION ENGINEERING DEPT

COMPUTER GENERATED DRAWING NOT TO BE HAND REVISED

DATE 6/04/64  
LAST REV. 6/29/20

DWG. NO. **EO-4647-C REV. 18** SH 8 OF 8

NO	REVISION	PROJ ENG'R	DATE	DRAWN BY	DATE	CHECKED BY	DATE	APPROVED
18	SEE REVISION BOX ON SHEET 5 OF 8 FOR CHANGES TO THIS SHEET. H.J.M./K.T. 6/29/2020	H. ANWAR	6/29/20	SHMUCKER	3/17/61	HAVILAND	3/20/61	MGR. MANAGER CIVIL DESIGN
				DISCIPLINE CODE TE		SCALE NONE		CAVAGNET ELECT DISTRIBUTION ENGR
								DATE 6/13/61