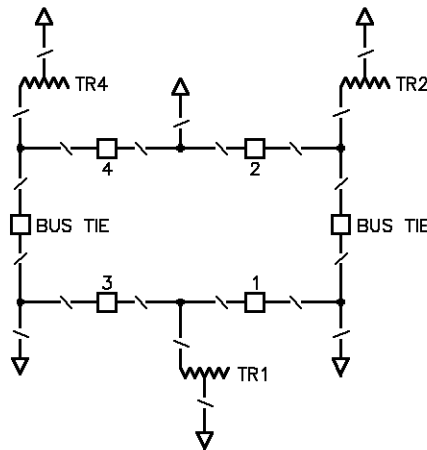


DOUBLE RING BUS



SINGLE RING BUS

NOTE:
NUMBER OF CIRCUIT BREAKERS
IN RING CAN VARY.

COMPUTER GENERATED DRAWING NOT TO BE HAND REVISED

CON EDISON	DWG NO. 303033-2	ENGINEERING MANAGER:	K. CARR	REV. 2	REVISION USE .1 SIZE TEXT ONLY	
	DWG SIZE: E TYPE: STANDARDS	PROJECT ENGINEER:	K. ALAZAR	K. ALAZAR 03/22/07	DRAWING UPDATED & APPROVED FOR S&TE. ISSUED FOR RECORD.	
	LOCATION: ALL STATION	DESIGNER:	A. C.			
TITLE: TYPICAL ONE LINE DIAGRAM OF RING BUS DESIGN. (PART OF CON ED SPEC. CE-ES-2002 ECTION I)		DRAWN BY:	A. C.	REVISION SIGNATURE	SCALE: NONE	DISC. CODE: EL

303033-2